



Borg Locks - market leader in innovative design and manufacture of high quality access controls.

Push Button Locks, Code Locks and Keyless Locks

With a special emphasis on **functionality, performance and quality** our growing range of access controls enables Borg to supply a product or products to suit most applications. Established for almost 10 years and having its own factory has helped Borg to develop a growing reputation for quality at reasonable prices, and with its own R&D team are also able to tackle OEM projects.

Page 2	2000 Series
Page 3	3000 Series
Page 4	4000 Series
Page 5	5000 Series
Page 7	7000 Series
Page 10	9000 Series
Page 13	Digital Cam lock
Page 14	CodeStar
Page 17	Gate lock
Page 20	Locker lock
Page 23	Marine Grade

2000 series



The **BL2000** series is a range of fully mechanical combination locks. Easy to install and with all parts and fixings included making the 2000 series ideal for most low usage applications. Automatic locking until the correct code is entered ensures access for authorised personnel only. All the internal components are chemically treated for strength and durability making it virtually maintenance free.



Features

- NEW** Patented Load Plate Design
- Eliminates Code Cracking Attempts
- 60mm Latch (50 & 70mm Available)
- 100,00 Cycle Test
- Optional Holdback
- Early Clear Plate
- Non-Handed
- Guaranteed Against Faulty Material & Workmanship
- 5 Year Guarantee

3000 series



3100 series



3130 back to back



3130 key override



3500 series

The **Gate Lock** is another unique product from Borg. Combining a specially designed lockcase with our proven Marine Grade keypads we are able to offer the perfect access control solution for metal box section gates. The lockcase utilises a fore-end fixing system which increases security.

The self locking system has been designed with adjustability and ease of fitment in mind; the latch bolt can be adjusted to suit a variety of box section profiles whilst the latch bolt head is reversible to cater for left and right hand hung gates.

The two keypads are preset to the same code; however they can be simply and easily changed to different or separate combinations as is required.

Features

NEW Patented Load Plate Design Eliminates Code Cracking Attempts

To Suit Gate Profiles Up To 60mm

Anti-Climb Housing

Easily Reversible

Simple Installation, Two Telescopic Fixing

Marine Grade Quality Keypads Are Salt Water Tested

14 Digit Keypad

Spring Loaded Latch; Adjustable Between 65 - 80mm

Security Fixings

20mm Bolt: Withdrawal



4000 series



The **BL4000** series represents a medium duty range of mechanical access controls. The BL4000 series has been designed as a direct upgrade for the BL2000 series ideal for those who require the features offered by the BL5000 series but in a more compact unit. The BL4000 series offers the benefits of a lever handle, free passage feature and clutch protection. The BL4003 comes complete with a euro-profile lockcase which has a double throw deadbolt and key to latch control. The BL4001 is supplied complete with a 60mm (50 & 70mm available) tubular latch with anti-thrust pin.



Features

- DDA Compatible
- 12 Digit Keypad
- Full Size Lever Handles
- Clutched Keypad Handle
- Fully Reversible
- Free Access Feature
- Special Fixing Plate Enables Two Different Fixing Configurations
- PVD Coated - Lifetime Guarantee on Finish
- Compatible with 2000 Series Fixing Centres; Ideal For Upgrades

5000 series



The **BL5000** series is a range of mechanical pushbutton coded locks designed for applications where medium to heavy duty usage is expected. The BL5000 series benefits from lever handles, free passage feature and clutch protection. Available in a number of different permutations there is a unit to suit almost every internal or external medium to heavy duty application.



Features

- NEW** Patented Load Plate Design
Eliminates Code Cracking Attempts
- Weatherproof Design
- Clutched Keypad Handle
- Cycle Tested to 100,000 Operations
- PVD Coated - Lifetime Guarantee on Finish
- Free Passage Feature
- Non-Handed Keypad
- Compatible with Leading Brands
Of Panic Hardware
- Guaranteed Against Faulty
Materials & Workmanship
- 5 Year Guarantee
- Suitable for DDA Applications

5000 series



The BL5001 uses a 60mm (70mm also available) tubular latch with anti-thrust pin. The BL5003 comes complete with a euro-profile lockcase which has a double throw deadbolt and key to latch control, ideal for applications where an extra level of security may be required.

The BL5006 comes complete with a BS3621 5 Lever mortise sash lock making it an ideal retro fit in place of an existing sash lock and lever handle and has the added advantage of offering a secondary level of security.

The BL5008 has been adapted to work with panic and escape devices. Supplied with specially designed spindles that provide an 8mm square drive and a fixing plate that secures the keypad directly to the door, the BL5008 provides the perfect keyless access solution for the exterior of fire escape doors.

The BL5009 uses a mortice night latch with separate anti-thrust pin and can be used in conjunction with a euro-profile half cylinder making it ideal for applications where a key override is necessary without the facility for deadlocking.

7000 series



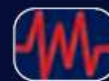
7000 Front

Features

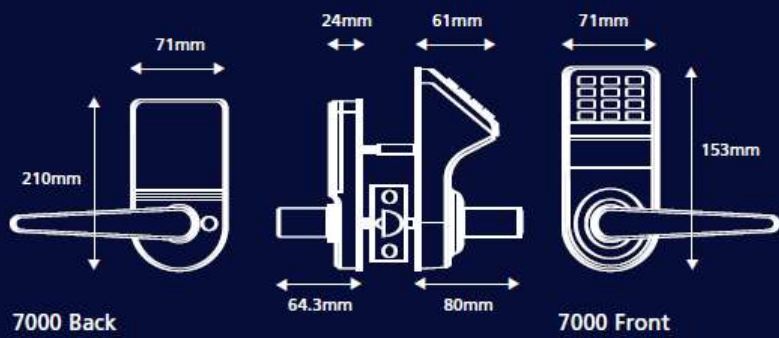
- Clutched
 - 60/70mm Latch available
 - Suitable for 30 - 54mm Doors
 - Free Passage
 - Key Override
 - Lever Handle
 - Simple Code Changing
 - Battery Operated
-
- Reversible
 - Unconditional Guarantee Against Faulty Material & Workmanship
 - 2 Year Guarantee
 - Sequential Coding



Satin Chrome



Electronic



7000 Back

7000 Front



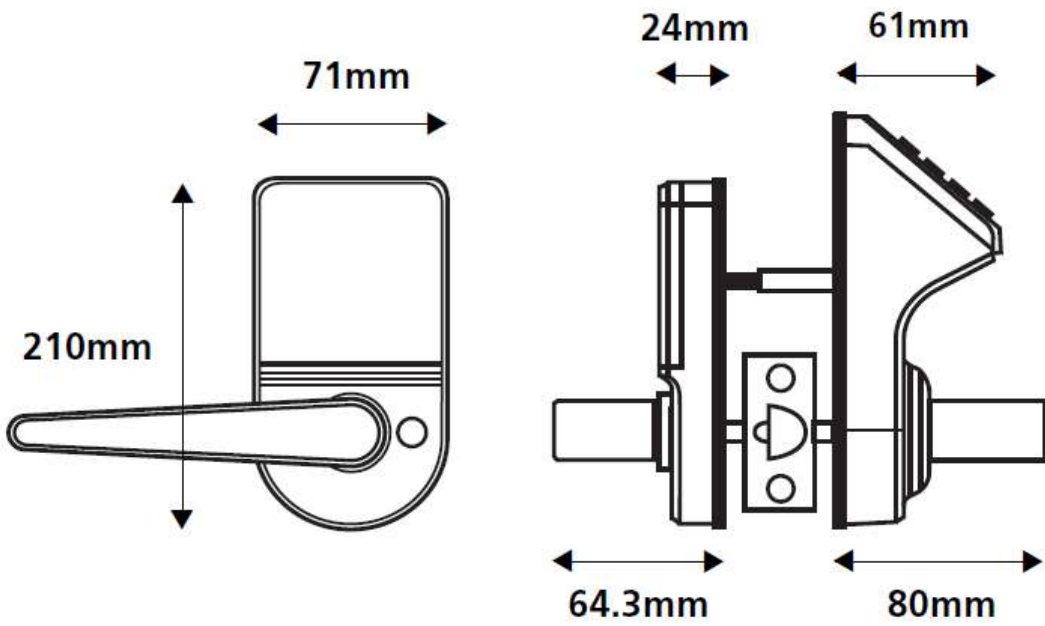
7000 Back

A stand alone battery powered electronic pushbutton code lock. This lock has a cast steel construction and stainless steel key pad for durability and strength and is supplied with a 60mm (70mm also available from stock) stainless steel latch with anti-thrust pin. It can suit door thickness from 30 to 54 mm and can be reversed to suit either left or right hand doors. It has a key override for extra control and for emergency access.

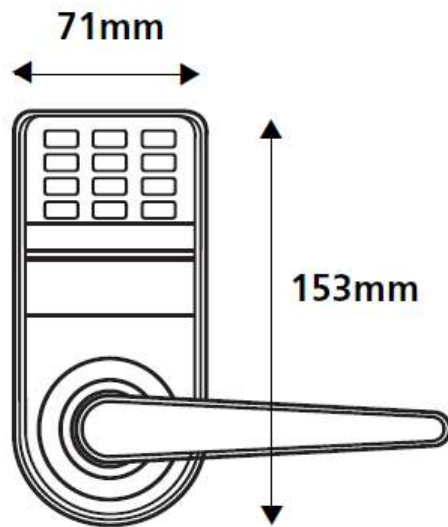
There are 31 different user codes in the standard unit with 1 master code, and there is a free passage feature when security is not required. To avoid disruption and for convenience the code can be changed on the door.



+44 (0)1277 210 644
 Fax: +44 (0)1277 210 643
 www.borglocks.com



7000 Back



7000 Front



+44 (0)1277 210 644

Fax: +44 (0)1277 210 643

www.borglocks.com

9000 series



Features

- Clutched Handle
- 60mm Latch
- 70mm Latch
- Free Passage Feature
- Simple Code Changing
- Reversible
- Recognise up to 30 Different Fingerprints

9000 Front



Satin Chrome



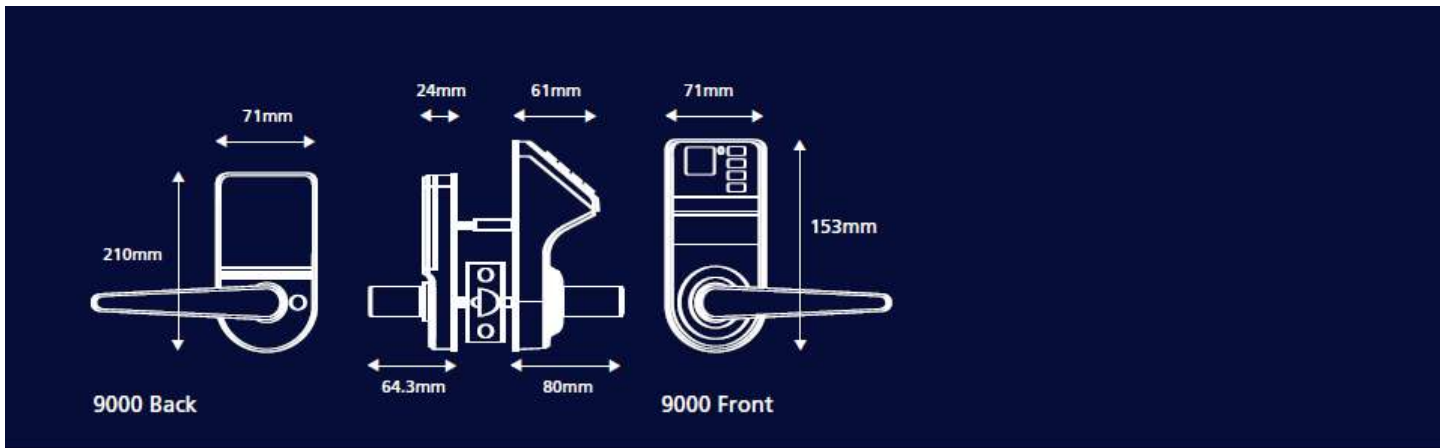
Electronic



Biometric

- Simple Fingerprint Enrollment
- Suit Door Thickness from 30 to 54mm
- Stainless Steel Latch c/w Anti-Thrust Pin
- 2 Year Guarantee
- Battery Operated
- Key Override

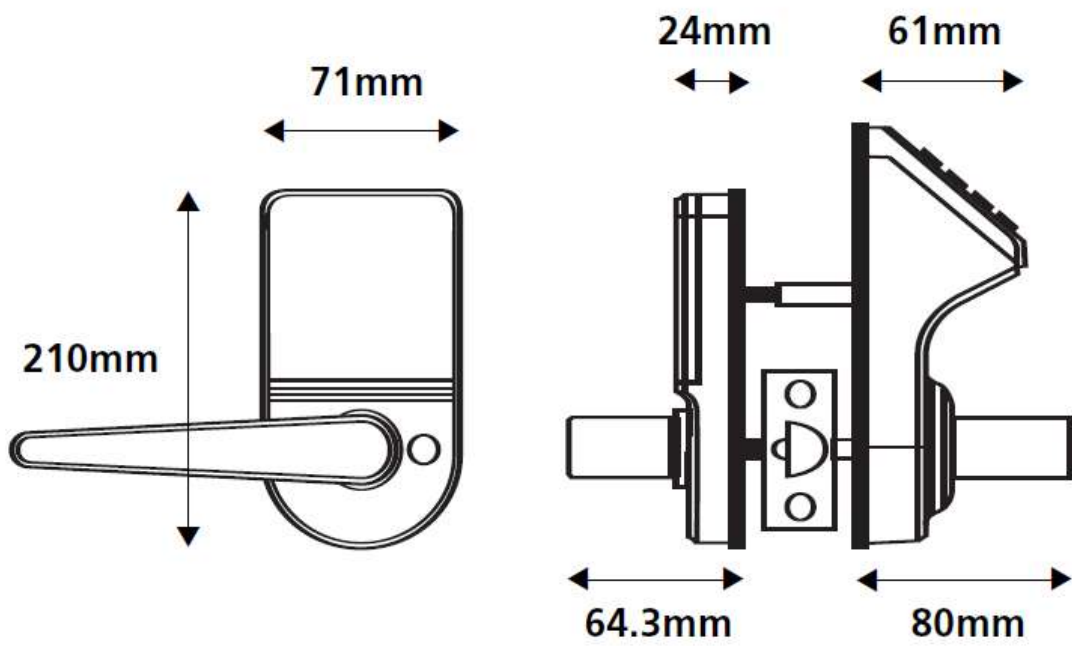
**Borglocks**
controlling access



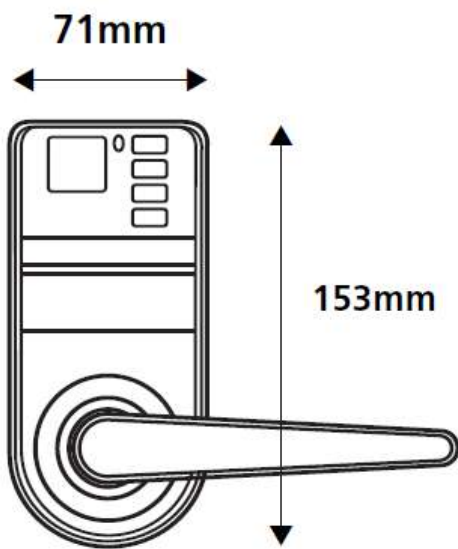
A stand alone battery powered biometric (fingerprint) and pushbutton lock. With 3 methods of entry; fingerprint & pin, pin & key override. It has a cast steel construction and stainless steel keypad for durability and strength, and is supplied with either 60 or 70mm stainless steel latch with anti-thrust pin. It uses an optical sensor with high resolution (500dpi) which guarantees accuracy and therefore speed of access. Fingerprint deletion and enrollment is completed directly on the lock, no software needed.



+44 (0)1277 210 644
 Fax: +44 (0)1277 210 643
 www.borglocks.com



9000 Back



9000 Front



+44 (0)1277 210 644

Fax: +44 (0)1277 210 643

www.borglocks.com

Digital Cam Lock



Features

- **NEW** 1000 Combinations possible
- Replaces any 3/4" keyed cam lock
- Easy to recode
- Cam can be rotated clockwise or counter clockwise
- Chromed finish
- No need to hassel with keys

Applications

- Lockers
- Medical cabinets
- Wardrobe doors
- Keysafes
- Drawers

Tel: +44 (0) 1277 210 644
Fax: +44 (0) 1277 210 643
www.borglocks.com

**Borglocks**
controlling access

CodeStar



2500 SC Front



Super Stainless

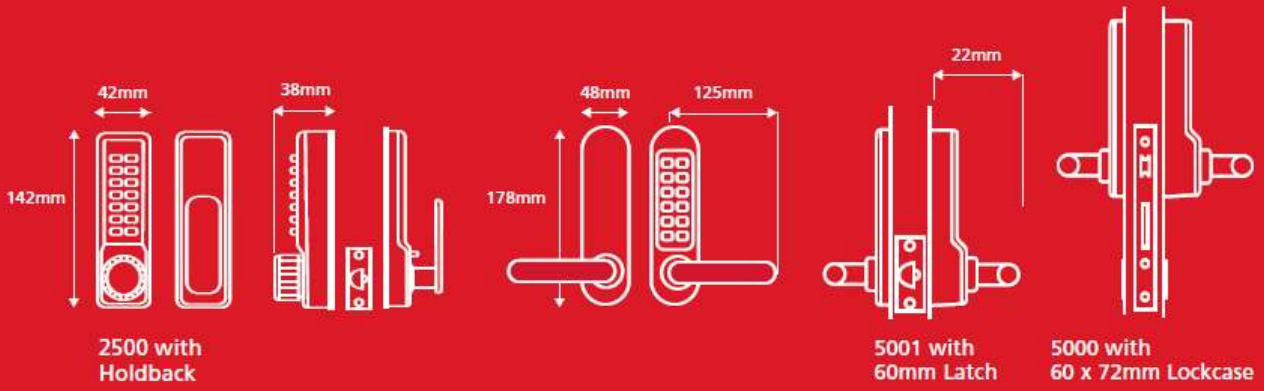


Super Brass

Features

- ★ **NEW** design, makes recoding simple & error-free
- ★ 100,000 cycle test
- ★ Lifetime guarantee
- ★ Super Stainless and Super Brass finishes
- ★ PVD coated
- ★ Reversible
- ★ Early clearplate
- ★ Free passage option
- ★ Standard fixings suit doors up to 54mm (XL fixings available)
- ★ Weatherproof





2500 SS Back



2200 Open Back



5000 SS Back

Our premium range of mechanical pushbutton coded locks. All engineered and manufactured to the highest standard, using premium grade components, many of which are made from stainless steel for greater longevity.

The range is finished to the highest standards using the latest technology enabling Borg to offer 'lifetime guarantees' against faulty components or workmanship.

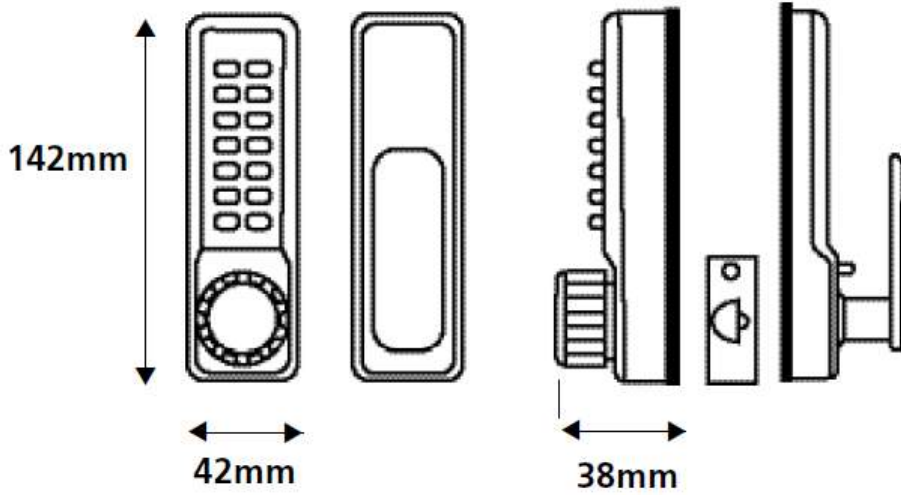
Each model has been cycle tested to more than 100,000 operations, further guaranteeing their durability and strength.



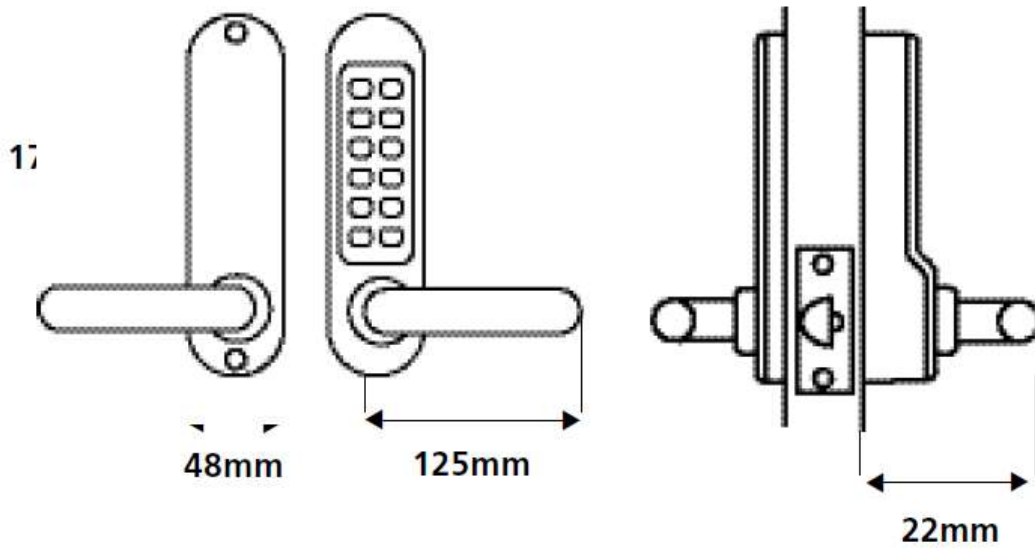
+44 (0)1277 210 644

Fax: +44 (0)1277 210 643

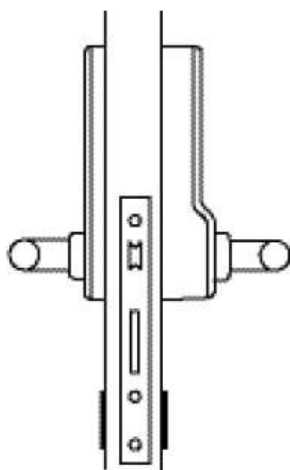
www.borglocks.com



2500 with Holdback



5001 with 60mm Latch



5000 with 60 x 72mm Lockcase



+44 (0)1277 210 644

Fax: +44 (0)1277 210 643

www.borglocks.com

Gate lock



3100 Metal Gate

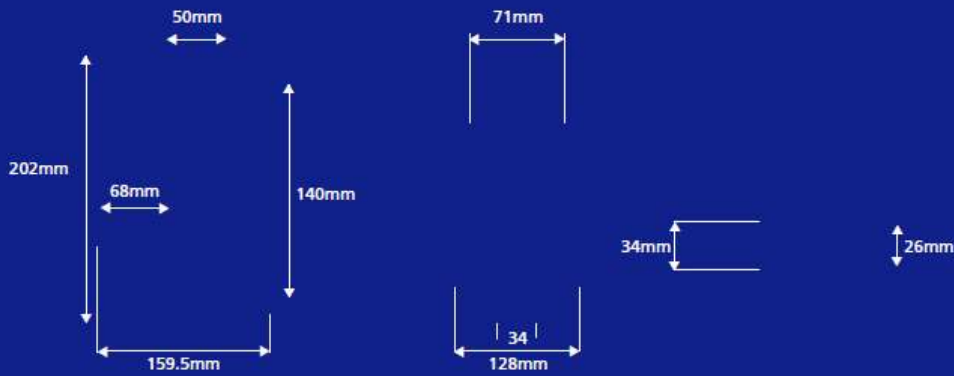
Features

- **NEW** design, makes re-coding simple & error-free
- To suit gate profiles 40-80mm
- Easy grip anti-ligature handles
- Anti-climb housing
- Easily reversible
- Simple installation, two telescopic fixings
- Marine Grade quality, Saltwater tested
- 14 Digit keypad
- Adjustable sprung latch
- 8000+ combinations
- Security fixings



Marine Grade
Black





3100 PC

The Gate Lock is another new & unique product from Borg which combines two Marine Grade keypads (Back to Back), with a special lock case with anti-ligature features and an adjustable latch bolt, designed to fit metal gates of various sizes and types.

This self locking system is designed to be adjustable as possible, being fully reversible, makes it suitable for left and right handed gates. Using the two telescopic fixing screws supplied, makes the Gate Lock simple to fit to most gates.

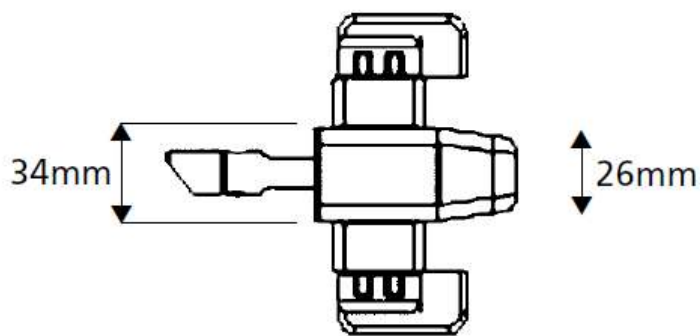
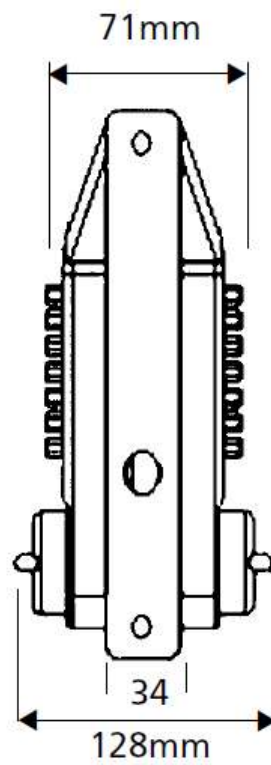
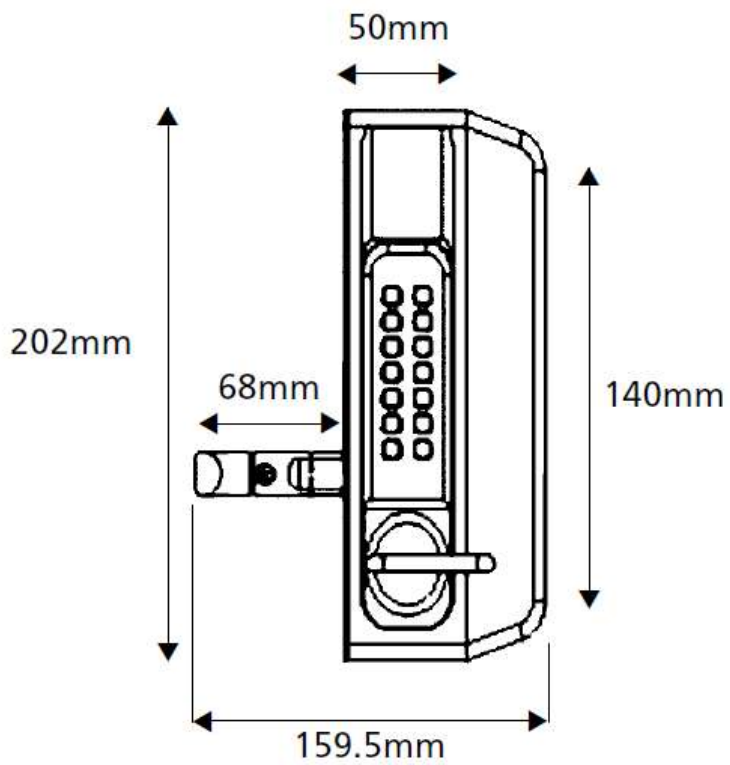
The two keypads are preset to the same code, but can be simply and easily changed to different and separate combinations as many times as required.



+44 (0)1277 210 644

Fax: +44 (0)1277 210 643

www.borglocks.com



+44 (0)1277 210 644

Fax: +44 (0)1277 210 643

www.borglocks.com

Locker lock



Locker Front



Satin Chrome

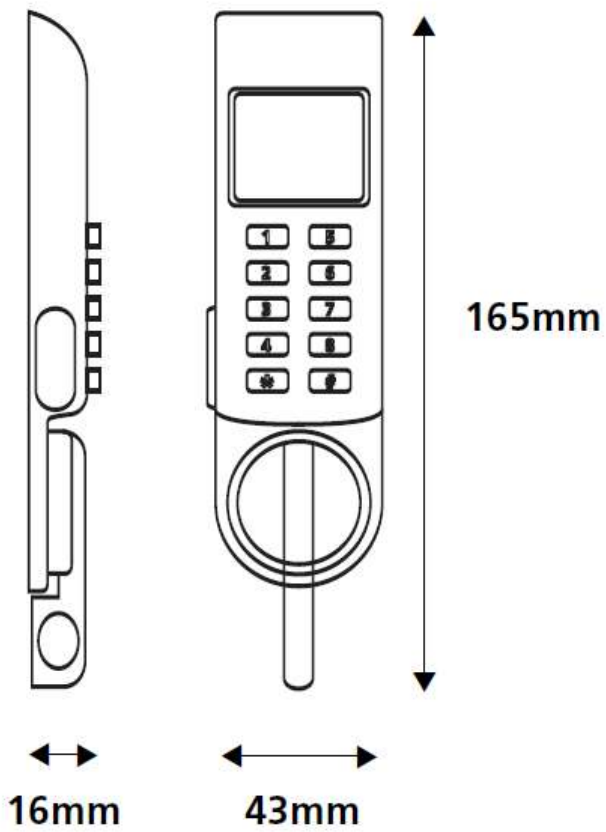


Electronic

Features

- Electronic Security Lock with Personal ID Display - No More Keys and Wristbands
- Anti-Ligature Housing and Knob
- Same Footprint as Assa Coinlock
- Fully Water / Chlorine Resistant
- Symbolised LCD Screen
- Metal Buttons & Housing
- Over 1500 Code Combinations
- 8 Hour Time Lapse, Locker Re-opens
- Emergency Access in the Event of Power Failure
- Suitable for Doors 10 - 25mm
- Tested to 30,000 Cycles
- 5 Year Guarantee
- Overall Projection Only 16mm
- Tamper Proof Programming
- Battery Life Over 10,000 Cycles
- Battery Low Indicator
- Hook Bolt Locking
- CE Approved





Locker Lock



+44 (0)1277 210 644

Fax: +44 (0)1277 210 643

www.borglocks.com

marine
grade



The **Marine Grade** series offers a comprehensive range of mechanical access control solutions that have been developed specifically for marine applications whereby compliance to the ISPS code is essential. The Marine Grade series offers the perfect solution for applications where it is not possible or convenient to use an electronic door control.

Manufactured to the highest standards using stainless steel for all of the critical internal components the Marine Grade series has undergone extensive testing to ensure that the coding chamber is resistant to salt water corrosion. The exterior bodies have been chrome plated using a special 5 layer process that is guaranteed to last for at least 2 years under the most arduous of conditions.

Features

- NEW Patented Load Plate Design Eliminates Code Cracking Attempts
- Salt Waterproof
- 100,000 Cycle Test
- MG PVD Coating
- Holdback / Free Passage Feature
- Early Clear Plate
- Simple Code Changing
- Reversible
- Guaranteed Against Faulty Material & Workmanship
- 2 Year Guarantee



Borglocks

www.borglocks.com



Borg offers a variety of permutations to suit most marine applications. The BL2601 is based upon the popular BL2000 series and offers the ideal solution for smaller doors that have a lower footfall; supplied complete with a cover that encases the keypad the BL2601 is suitable for on deck locations. The BL2605 provides the same exterior keypad but with a rim deadbolt inside handle that is ideal for situations where a mortised latch is not appropriate.

The BL5200 series use a shortened, straight handle design. Intended for the most heavy duty applications the BL5200 is supplied un-clutched and with the free passage feature removed making it ideal for use with a wide variety of heavier sprung door locks. The BL5201 is supplied complete with the free passage feature and our own 60mm tubular latch; this unit is also clutched to protect the coding chamber from damage.

