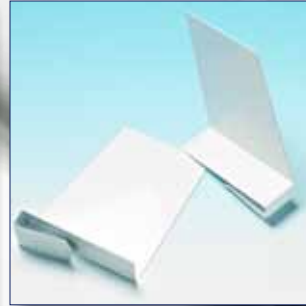
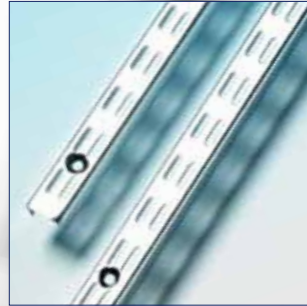


Newtech HARDWARE



TWINSLOT ARCHITECTURAL
SHELVING SYSTEM
FIXED BRACKET SHELVING
HARDWARE PRODUCTS

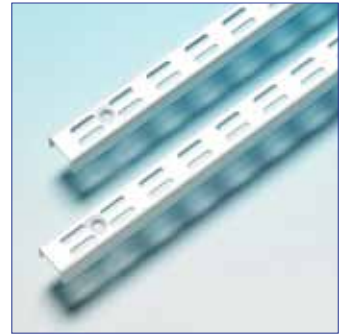
Newtech HARDWARE

Newtech Drop & Lock Architectural Steel Shelving has established itself as a market leader with its twin slot steel shelving.

Newtech twin slot, with its inherent strength, has now become the preferred choice with specifiers, architectural ironmongers, hospitals and stockists.

Newtech 'Drop and Lock' system is a safety protection feature preventing the bracket from being accidentally dislodged, making this the obvious choice within hospitals, schools, universities, local authorities and offices as well as many commercial applications.

Due to the increasing concern, particularly in the healthcare, food hygiene and domestic environments, Newtech has now introduced an anti-bacterial powder coating into the manufacturing process, Interpon AB from Akzo Nobel, the world's largest powder coatings company.



Interpon[®] Powder Coatings

Interpon AB has been tested by an independent microbiological laboratory and has proven effective at inhibiting the growth of the following bacteria:-

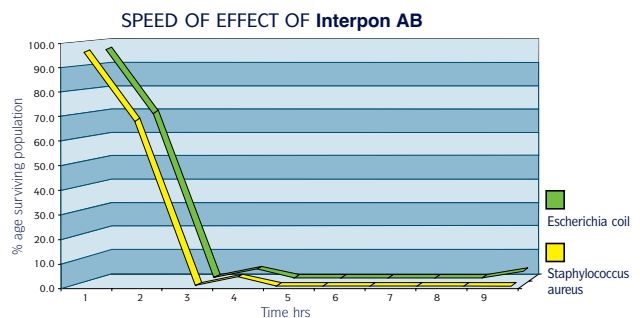
Bacteria	Polyester Powder	Hybrid Powder
Listeria monocytogenes	✓	✓
Escherichia coli 0157	✓	✓
Salmonella enteritidis	✓	✓
Staphylococcus aureus (MRSA)	✓	✓
Staphylococcus aureus	✓	✓
Bacillus subtilis	✓	✓
Pseudomonas aeruginosa	✓	✓
Salmonella typhimurium	✓	✓
Streptococcus faecalis	✓	✓
Legionella pneumophila	✓	✓
Vibrio parahaemolyticus	✓	✓
Enterobacter aerogenes	✓	✓

Akzo Nobel, the World's largest manufacturer of powder coatings, is a truly international business with manufacturing locations in 18 countries and across 5 continents.



ANTI-BACTERIAL POWDER COATINGS

Interpon AB in independent laboratory tests has been shown to achieve an effective reduction within 4 hours of inoculation



Interpon AB provides a supportive defence against bacteria and is not a substitute for good cleaning practices.



Interpon AB powder coating inhibits bacterial growth and in independent laboratory tests has been shown to be effective against a range of bacterial including Escherichia coli and Staphylococcus aureus (MRSA).

Twinslot System - Brackets



Reinforced Brackets



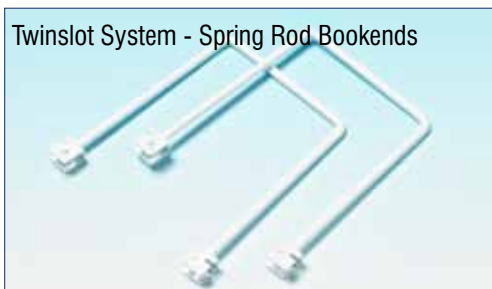
Part No.	Description			
11205	Bracket	5"	12cm	[2" base]
11207	Bracket	7"	17cm	[2" base]
11209	Bracket	9"	22cm	[2" base]
11211	Bracket	10½"	27cm	[2" base]
11213	Bracket	12½"	32cm	[2" base]
11215	Bracket	14½"	37cm	[2" base]
11315	Bracket	14½"	37cm	[3" base]
11319	Bracket	18½"	47cm	[3" base]
11324	Bracket	24"	61cm	[3" base]
11415	Bracket	14½"	37cm	[4" base]
11419	Bracket	18½"	47cm	[4" base]
11424	Bracket	24"	61cm	[4" base]

Twinslot System - Uprights



Part No.	Description			
11117	Upright	16¾"	42.5cm	
11128	Upright	28"	71cm	
11140	Upright	40"	100cm	
11148	Upright	48"	122cm	
11163	Upright	63"	160cm	
11178	Upright	78"	198cm	
11194	Upright	94"	240cm	

Twinslot System - Spring Rod Bookends



Part No.	Description			
11506	Bookend	6"	15cm	[pair]
11508	Bookend	7¾"	20cm	[pair]
11510	Bookend	9¾"	25cm	[pair]

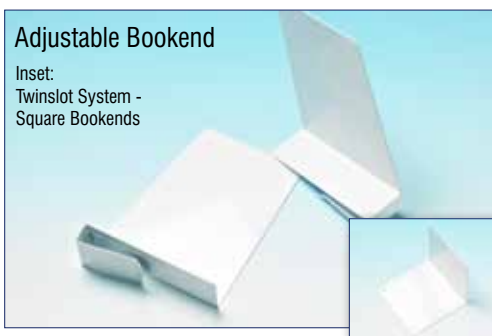
Twinslot System - Shelf Ends



Part No.	Description			
11606L	Shelf End	6"	15cm	[left]
11606R	Shelf End	6"	15cm	[right]
11608L	Shelf End	8"	20cm	[left]
11608R	Shelf End	8"	20cm	[right]
11610L	Shelf End	10"	25cm	[left]
11610R	Shelf End	10"	25cm	[right]

Adjustable Bookend

Inset:
Twinslot System -
Square Bookends



Part No.	Description			
11500	Bookend	5"	13cm	
11520	Adjustable Bookends	7½"	19cm	

Uniclass L826:P4111	EPIC Q26:X4121
CI/SIB (76.4)	Xh2

Formulation

Raw material: prime mild steel

Newtech Drop & Lock architectural steel shelving is manufactured from the best quality mild steel.

Paint Finish

Pre-treatment: Phosphate dip degrease
 Finish: High quality polyester powder coat Interpon
 610 AB Anti bacterial
 Colour: RAL 9016

Durability

The phosphate pre-treatment ensures keying and bonding to the metal, while the polyester powder coat is impervious to most commonly encountered chemicals and solvents, ensuring maintenance of its attractive appearance during many years of hard-wearing service.

Strength

One of the features of this system is its inherent strength. The following chart shows maximum recommended weight loadings per bracket. These are based on results achieved by independent testing (see below¹) and incorporate a minimum 50% safety margin to cover usage in all working situations.

Maximum recommended weight loadings per bracket

Code	Length		Max Load ²	
			Kgs*	Lbs
11205	4½	12cm	149	328
11207	6½	17cm	104	229
11209	8½	22cm	84	185
11211	10½	27cm	62	136
11213	12½	32cm	55	121
11215	14½	37cm	50	108
11315	14½	37cm	98	215

² = maximum load (including safety margin) where the load is at the centre of the bracket length specified.

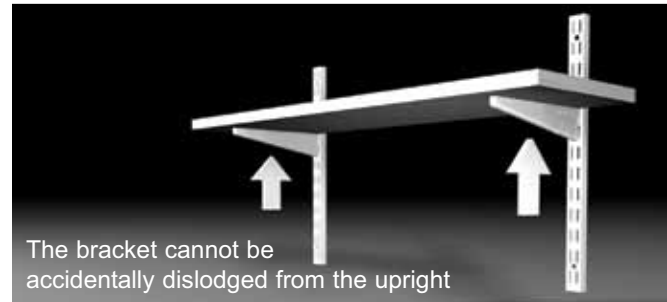
Performance in use

Newtech Drop & Lock architectural steel shelving has been designed to meet the highest of demands in a variety of situations. It's construction from heavy gauge mild steel means that it can be trusted to meet the demands of load bearing for long periods without failing or deforming.

The construction together with its high quality polyester powder coat finish with Interpon 610 Anti Bacterial, means that the product will maintain its appearance and performance even in conditions of heavy prolonged use.

Safety

Newtech architectural shelving incorporates a safety protection feature which prevents the bracket (and shelf) being accidentally dislodged while in use. The bracket first slots and then drops into place, effectively locking the bracket once it is in this position, it cannot be dislodged unless first the shelf is removed and then the bracket is angled upwards to enable withdrawal from the upright.



Applications

Existing applications include the following:

Institutional	Universities, colleges, schools, libraries public buildings
Commercial	Offices, retail, storerooms, showrooms, veterinary clinics
Healthcare	Hospitals, clinics, laboratories, medical research establishments dental laboratories plus many more

Product Range

See attached data sheets for full range and specification details.

Accessories

The range of bookends (4 designs) is designed to meet the variety of applications anticipated for the product including libraries, offices and institutional uses.

These are complemented by a comprehensive range of steel shelves from a company with long experience in fabrication from sheet and tubular steel.

Where the ranges described herein still fail to meet the demands of a specific application Newtech is also able to offer a bespoke production facility.

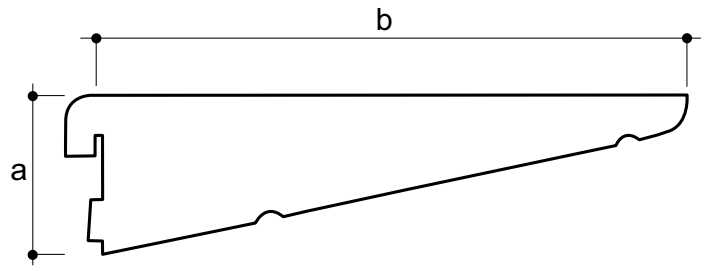
¹ Independent testing of uprights and brackets was conducted during March and April 2000. Detailed results available upon request.

Tests conducted by:
 Salford University Faculty of Engineering
 Department of Aeronautical, Mechanical and Manufacturing Engineering
 The University of Salford
 M5 4WT, England

Components

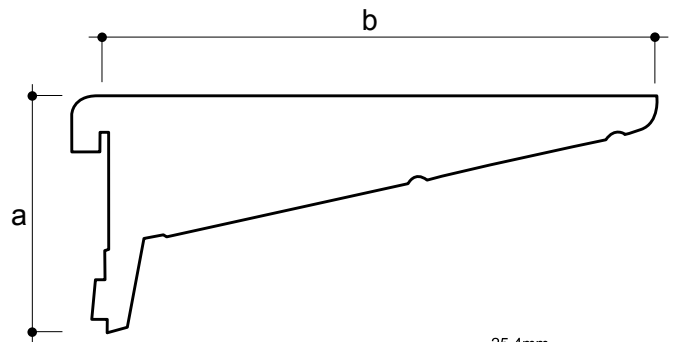
Brackets: Standard

Code	a		b	
11205	2"	50mm	4 ³ / ₈ "	115mm
11207	2"	50mm	6 ³ / ₈ "	165mm
11209	2"	50mm	8 ³ / ₈ "	215mm
11211	2"	50mm	10 ¹ / ₂ "	265mm
11213	2"	50mm	12 ¹ / ₂ "	317mm
11215	2"	50mm	14 ³ / ₈ "	366mm
11315	3 ¹ / ₄ "	82mm	14 ³ / ₈ "	366mm
11319	3 ¹ / ₄ "	82mm	18 ³ / ₈ "	467mm
11324	3 ¹ / ₄ "	82mm	24"	610mm



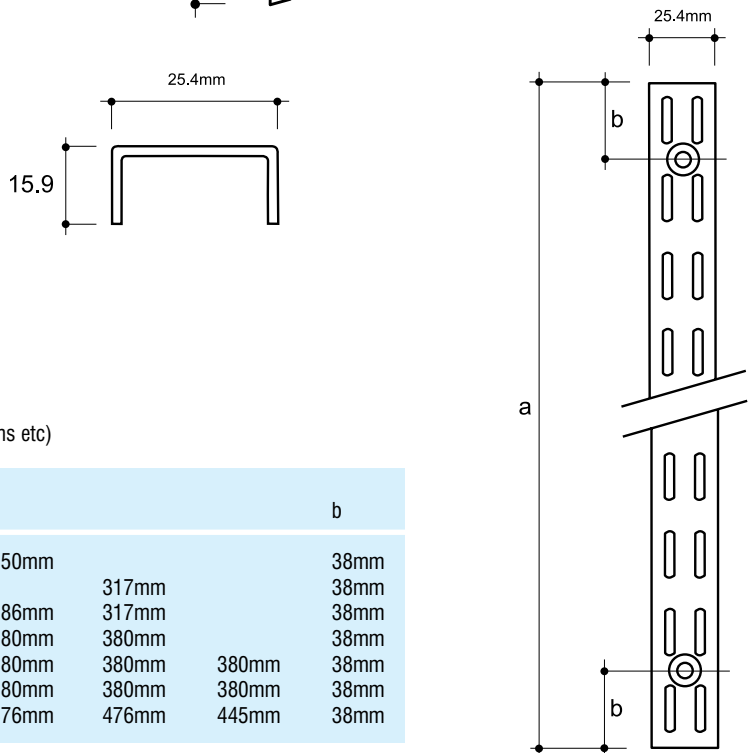
Brackets: Heavy Duty (reinforced)

Code	a		b	
11415	4 ⁵ / ₈ "	118mm	14 ¹ / ₂ "	370mm
11419	4 ⁵ / ₈ "	118mm	18 ¹ / ₂ "	470mm
11424	4 ⁵ / ₈ "	118mm	24"	610mm



Wall Uprights

Description		
Code	a	
11117	16 ³ / ₄ "	42.6cm
11128	28"	71cm
11140	39 ¹ / ₄ "	100cm
11148	48"	122cm
11163	63"	160cm
11178	78"	198cm
11194	94 ¹ / ₄ "	240cm



Fixed centres for uprights

ie. Distances between fixing holes in uprights (for setting of noggins etc)

	Fixing Points	b		b		b		b
11117	2	38mm		350mm		38mm		
11128	3	38mm	317mm		317mm	38mm		
11140	4	38mm	317mm	286mm	317mm	38mm		
11148	4	38mm	380mm	380mm	380mm	38mm		
11163	5	38mm	380mm	380mm	380mm	380mm	380mm	38mm
11178	6	38mm	380mm	380mm	380mm	380mm	380mm	38mm
11194	6	38mm	445mm	476mm	476mm	476mm	445mm	38mm

Fixing of wall uprights

The strength of the installation is dependent on the strength of these fixings; it is the installers responsibility to ensure the strength and suitability of these fixings (especially when fixing to partitions or hollow/stud walling) and that the substrate material is adequate.

The wall uprights are countersunk to accept no. 12

screws which will sit into the countersink without projection.

The length of the screw will be selected on site as appropriate.

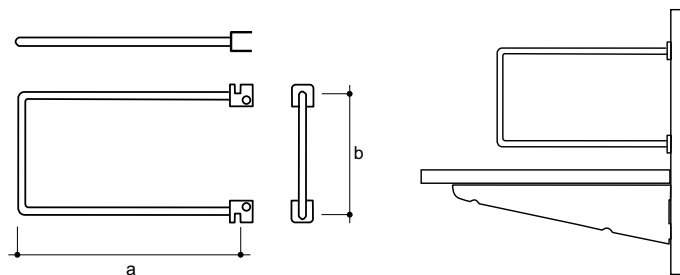
Fixing centres between uprights: Where Newtech standard steel shelves are used the centres between

uprights are 1000mm. When using MDF or other timber material the thickness of the material will determine suitable centres; however as a general guide 600mm centres could be the maximum suitable where material of 20mm thickness or above is used.

Accessories

1 Bookends: Spring Rod Type

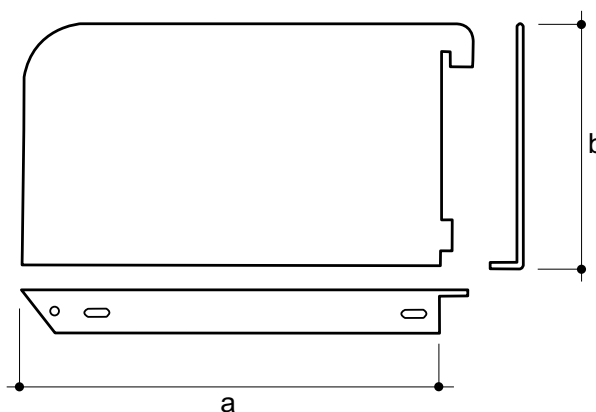
Code	a	b	c	d
11506	5 5/8"	145mm	4 3/8"	115mm
11508	7 3/8"	200mm	4 3/8"	115mm
11510	9 3/4"	248mm	5 7/8"	152mm



Spring rod bookends clip onto the uprights and can be placed at each upright for extra support

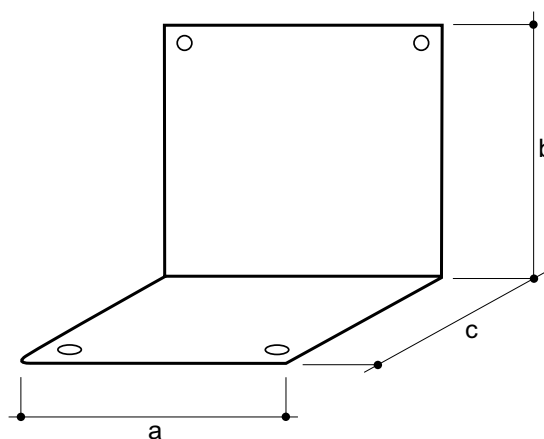
2 Bookends: Shelf Support Type

Code	a	b	c	d
11606L 11606R	6"	152mm	6"	152mm
11608L 11608R	8"	203mm	6"	152mm
11610L 11610R	10"	254mm	6"	152mm



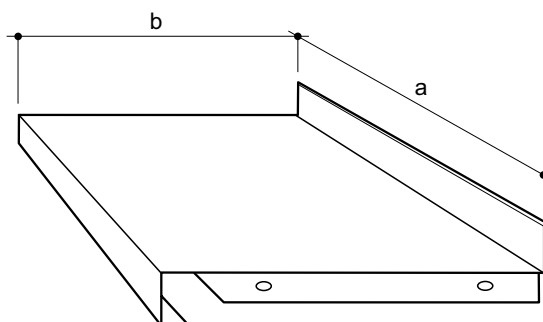
3 Bookends: Square Book Support

Code	a	b	c	d	e	f
11500	5 1/8"	130mm	5"	128mm	5"	128mm



4 Steel Shelves

Code	a	b	c	d
11707	39 1/4"	1000mm	7"	17cm
11709	39 1/4"	1000mm	9"	22cm
11711	39 1/4"	1000mm	10 1/2"	27cm
11713	39 1/4"	1000mm	12 1/2"	32cm
11715	39 1/4"	1000mm	14 1/2"	37cm
11719	39 1/4"	1000mm	18 1/2"	47cm
11724	39 1/4"	1000mm	24 1/2"	61cm



Reinforced Brackets



Part No.	Description		
21165	White	6" x 5"	150 x 120mm
21186	White	8" x 6"	200 x 150mm
21108	White	10" x 8"	250 x 200mm

Mitred Brackets



Part No.	Description		
21288	White	8" x 8"	200 x 200mm
21200	White	10" x 10"	250 x 250mm
21222	White	12" x 12"	300 x 300mm
21244	White	14" x 14"	350 x 350mm

Cantilevered Brackets



Part No.	Description		
21343	White	4" x 3"	100 x 75mm
21365	White	6" x 5"	150 x 120mm
21386	White	8" x 6"	200 x 150mm
21308	White	10" x 8"	250 x 200mm

London Brackets



Part No.	Description		
03134	White	3" x 4"	75 x 100mm
03145	White	4" x 5"	100 x 125mm
03156	White	5" x 6"	125 x 150mm
03168	White	6" x 8"	150 x 200mm
03179	White	7" x 9"	175 x 225mm
31810	White	8" x 10"	200 x 250mm
31012	White	10" x 12"	250 x 300mm
31214	White	12" x 14"	300 x 350mm
03234	Grey	3" x 4"	75 x 100mm
03245	Grey	4" x 5"	100 x 125mm
03256	Grey	5" x 6"	125 x 150mm
03268	Grey	6" x 8"	150 x 200mm
03279	Grey	7" x 9"	175 x 225mm
32810	Grey	8" x 10"	200 x 250mm
32012	Grey	10" x 12"	250 x 300mm
32214	Grey	12" x 14"	300 x 350mm

Handrail Brackets and Coat Hooks



Part No.	Description	Pack Quantity
4202	2.5" Handrail Brackets Zinc Plated	10
4102	2.5" Handrail Brackets White	10
4203	3" Handrail Brackets Zinc Plated	10
4103	3" Handrail Brackets White	10
70002	Hat & Coat Hook*	25
70001	Coat Hook*	25

*Product may vary in appearance

Decorative Tube and Fittings



Chrome and Brass plated cut lengths.

Available in 3/4" (19mm) and 1" (25mm) diameters in a range of lengths

Fittings



A range of pre-packed and boxed loose fittings is also available

Chrome Tube

Item Code	Diameter	Length	Wall Thickness	Pack Qty
41193	3/4" (19mm)	x 3ft (914mm)	0.7mm	10
41194	3/4" (19mm)	x 4ft (1219mm)	0.7mm	10
41196	3/4" (19mm)	x 6ft (1829mm)	0.7mm	10
41198	3/4" (19mm)	x 8ft (2438mm)	0.7mm	10
41253	1" (25mm)	x 3ft (914mm)	0.7mm	10
41254	1" (25mm)	x 4ft (1219mm)	0.7mm	10
41256	1" (25mm)	x 6ft (1829mm)	0.7mm	10
41258	1" (25mm)	x 8ft (2438mm)	0.7mm	10
41250	1" (25mm)	x 13ft (4 mtr)	0.7mm	10

Chrome Fittings

Item Code	Size	Description	Pack Qty
42001	3/4" (19mm)	Pressed Sockets Chrome	10
42002	1" (25mm)	Pressed Sockets Chrome	10
42003	3/4" (19mm)	Diecast Sockets Chrome	10
42004	1" (25mm)	Diecast Sockets Chrome	10
42005	3/4" (19mm)	Towel Rail End Brackets Chrome	10
42006	1" (25mm)	Towel Rail End Brackets Chrome	10
42007	3/4" (19mm)	Towel Rail Centre Brackets	10
42008	1" (25mm)	Towel Rail Centre Brackets	10
42009	3/4" (19mm)	Wardrobe Rail End Brackets	10
42010	1" (25mm)	Wardrobe Rail End Brackets	10
42011	3/4" (19mm)	Wardrobe Rail Centre Brackets	10
42012	1" (25mm)	Wardrobe Rail Centre Brackets	10
42013	1" (25mm)	Concealed Sockets	10

Bulk Fittings

Item Code	Size	Description	Pack Qty
43001	3/4" (19mm)	Pressed Sockets Chrome	100
43002	1" (25mm)	Pressed Sockets Chrome	100
43003	3/4" (19mm)	Mazak Bracket	100
43004	1" (25mm)	Mazak Bracket	100
43005	3/4" (19mm)	Towel Rail End Brackets Chrome	10 (pair)
43006	1" (25mm)	Towel Rail End Brackets Chrome	10 (pair)
43007	3/4" (19mm)	Towel Rail Centre Brackets	10
43008	1" (25mm)	Towel Rail Centre Brackets	10
43009	3/4" (19mm)	Wardrobe Rail End Brackets	10(pair)
43010	1" (25mm)	Wardrobe Rail End Brackets	10(pair)
43011	3/4" (19mm)	Wardrobe Rail Centre Brackets	10
43012	1" (25mm)	Wardrobe Rail Centre Brackets	10

Adjustable Worktop Legs



Item Code	Size	Finish	Pack Qty
44002	710mm	White	4
44001	710mm	Chrome	4
44005	710mm	Satin Nickel	4
Item Code	Size	Finish	Pack Qty
44004	870mm	White	4
44003	870mm	Chrome	4
44006	870mm	Satin Nickel	4

Grab Rails



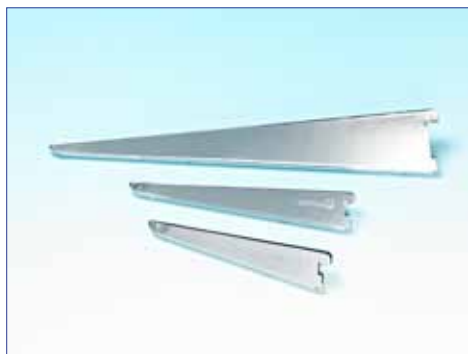
Item Code	Size	Description	Pack Qty
42014	1" x 12"	WEC Grabrail	6
42015	1" x 12"	Chrome Grabrail	6
42016	35 x 460mm	White Grabrail	6
42017	35 x 600mm	White Grabrail	6

75mm Screen Printed Discs



Sign Discs are Available in Four Finishes (10 per pack)	
SAA	Satin Anodised Aluminium
SSS	Satin Stainless Steel
PSS	Polished Stainless Steel
PB	Polished Brass
The Discs are available in the following designs	
Male	WC
Female	Fire door keep shut
Disabled	Fire door keep clear
Unisex	Fire door keep locked
Push	Fire exit keep clear
Pull	
NB - Sign discs are also available in other designs.	

Chrome Twinslot Shelving



Chrome Brackets

Part No.	Description	Pack Quantity
12205	Bracket 5" 12 cm [2" base]	10
12207	Bracket 7" 17 cm [2" base]	10
12209	Bracket 9" 22 cm [2" base]	10
12211	Bracket 10½" 27 cm [2" base]	10
12213	Bracket 12½" 32 cm [2" base]	10
12215	Bracket 14½" 37 cm [2" base]	10
12319	Bracket 18½" 47 cm [3" base]	10



Chrome Uprights

Part No.	Description	Pack Quantity
12117	Upright 16¾" 42.5cm	10
12128	Upright 28" 71cm	10
12140	Upright 40" 100cm	10
12148	Upright 48" 122cm	10
12163	Upright 63" 160cm	10
12178	Upright 78" 198cm	10
12194	Upright 94" 240cm	10

NB: Chrome Twin Slot is Not Antibacterial Coated

Hardware Products

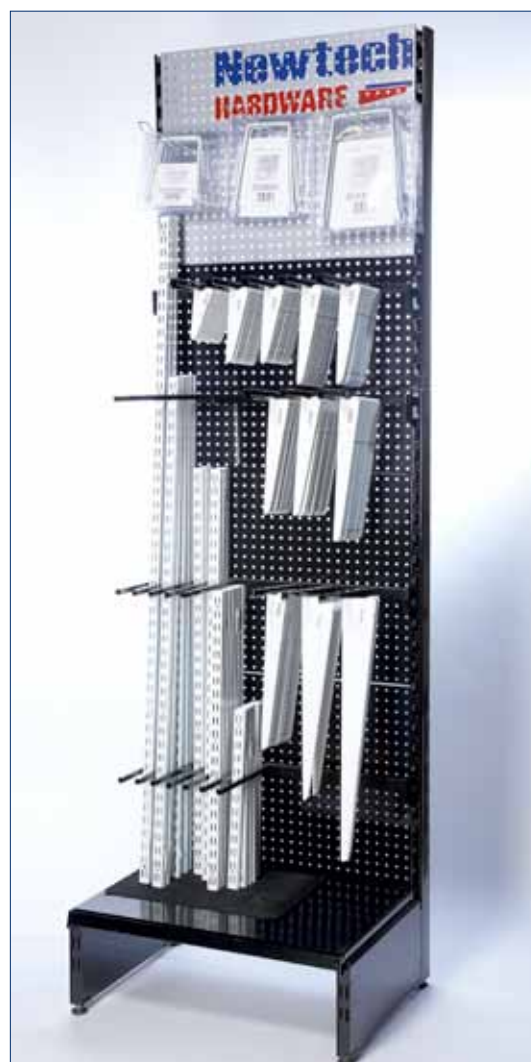


Tape measures & knives

Choose from the Newtech logo or Union Jack designs. We can also supply these products with your company name and logo, subject to a minimum order of 72 pieces.

Product Code	Description	Box Qty
70003	Tape Measure 5 Mtr 16Ft	12
Newtech 25mm Professional Retractable Knives		
72001	NTK2 Newtech Knife H/D	12
72002	NTK2 Union Jack Knife	12
72003	NTK3 Newtech Knife	12

Newtech can also provide stockists with a choice of merchandisers to display the products.



Aerosols for Industry

The range of aerosols for industry from Newtech is suitable for engineering, DIY, automotive, agricultural and general purpose use. The range is headed by AC-90, a high quality, silicone free multi-purpose lubricant. The range also includes anti-rust paint and food safe products.



Code	Description	Size ml	Colour	Ctn Qty
AC-90 Lubricant, Cleaner, Penetrates & Releases, Displaces Moisture, does not contain Silicone.				
72202	AC-90 (multi-purpose)	425		15
Food Grade Product Range H1 approvals by NSF & INS.				
72201	AC-90 H1 Food Grade	425		15
CD-90 Chain & Drive Spray.				
72217	CD-90	500		15
CG-90 Food Grade Clear Grease Lubricant + PTFE.				
72220	CG-90	500		15
Cutting, Tapping, Drilling Fluid. Makes cutting easy, extends tooling life.				
72203	CT-90	500		15
Isopropyl Alcohol-Electronic Cleaning Solvent.				
72204	I.P.A.	500		15
Hand Cleaner with Poly-Grains - Lemon 5lt.				
72214		5ltr		4
SA-90 Industrial Strength Adhesive.				
72212	SA-90	500		15
SP-90 Dry Film Silicone Lubricant.				
72218	SP-90	500		15
NS-90 Clear Coat Anti Slip Floor Paint.				
72213	NS-90	500		15
Rapid Penetrating Release Fluid. Releases seized, corroded parts.				
72205	RP-90	500		15
TF-90 Fast Drying Cleaning Solvent & Degreaser.				
72219	TF-90	500		15
Cold Zinc Galvanise Paint. Corrosion Protection.				
72206	ZG-90	500	Red	15
72207	ZG-90	500	Green	15
72208	ZG-90	500	White	15
72209	ZG-90	500	Black	15
72210	ZG-90	500	Blue	15
72211	ZG-90	500	Grey	15
Cold Zinc Galvanise Paint Brushing.				
72221	ZG-90	500ml tin	Zinc	6
72222	ZG-90	500ml tin	Black	6
72223	ZG-90	500ml tin	White	6
72224	ZG-90	500ml tin	Red	6
72225	ZG-90	500ml tin	Green	6
72226	ZG-90	500ml tin	Blue	6

Linemarkers

The Newtech range of line marking paint is available in 750ml aerosol tins in a choice of 7 colours. The paint is suitable for use for playing fields, car parks, warehouses, golf courses and road markings as well as many other applications. Also available are a range of wheeled applicators for a professional finish.

750ml Line Marking Paint Aerosols

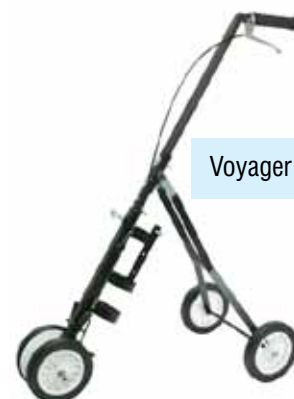


Item Number	Colour
72101	Red
72102	White
72103	Green
72104	Yellow
72105	Black
72106	Blue
72107	Orange

Line Marking Applicators



72100
 Spray Master (above)
 Voyager II (2 wheel applicator)
 Voyager IV (4 wheel applicator)



TWINSLOT ARCHITECTURAL SHELVING SYSTEM

FIXED BRACKET SHELVING

STEEL SHELVES

DECORATIVE TUBE AND FITTINGS

WORKTOP LEGS

HAND RAIL BRACKETS

GRAB RAILS

LINE MARKING PAINTS

MULTI-PURPOSE LUBRICANTS

Newtech
HARDWARE 

Newtech Hardware Ltd
Vale Mill, Stansfield Road, Todmorden OL14 5DL.
Tel: 01706 813071, Fax: 01706 817105
e: enquiries@newtechshelving.co.uk
www.newtechshelving.co.uk